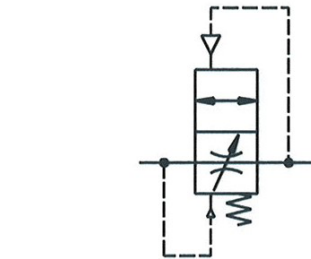
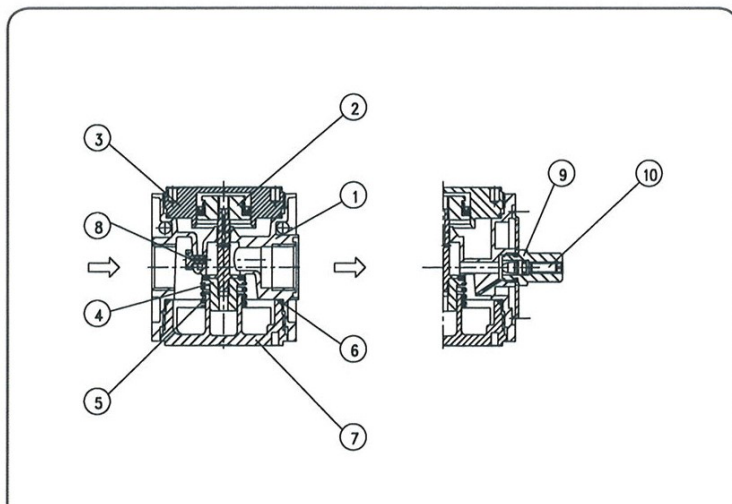


item	type	A 33 F
port size		G 1/2
description		seat valve, manipulation by secondary pressure
mounting		arbitrary
supply pressure		Pe max. 16 bar, Pe min. 2 bar
aperture pressure		50% Pe (only for closed systems)
media and ambient temperature		-10 to 60 °C
nominal discharge		Qn 3500 l/min (Pe = 6 bar, delta P = 1 bar)
fixing		bracket or 2 holes in the body
weight		0,770 kg



series 3

ordering information

**A 33 F**

type

1 port size  2 option

ordering example: A 33 F

**replacement parts** (repair kit: ESA-A.33)

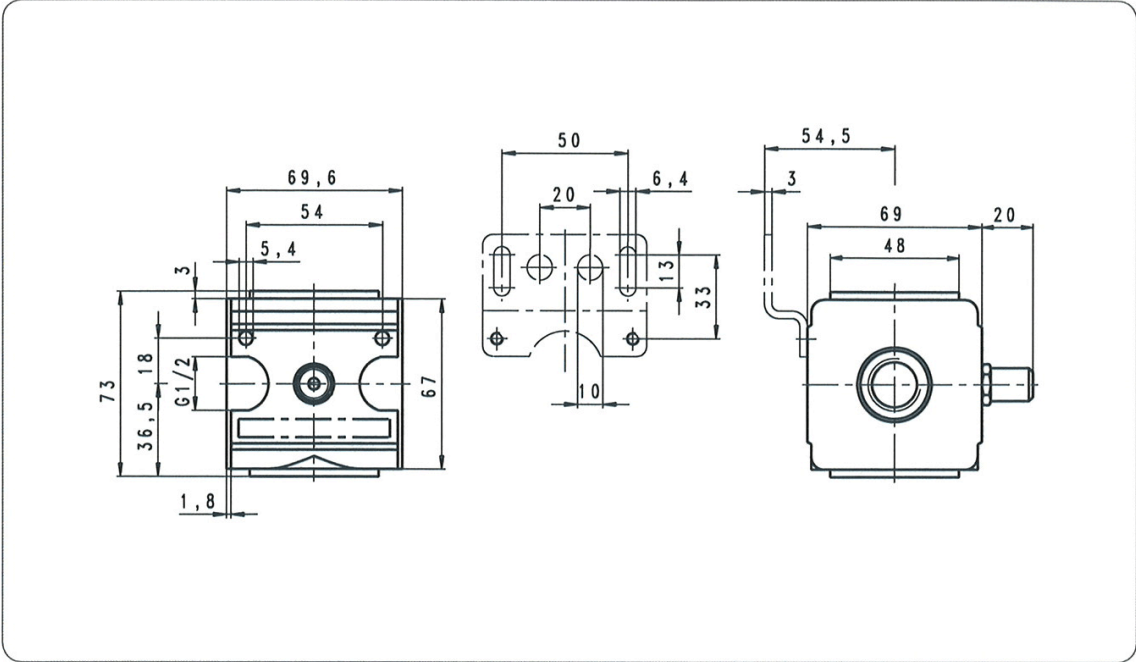
no	description	material	order-no.
1	body	zinc - Z 410	---
2	plunger	NBR - Al	---
3	bonnet	Al	---
4	valve cone	NBR - brass	---
5	spring C.33-22	stainless steel	5.2133.22.000
6	O-Ring 50 x 2	NBR	---
7	bonnet	PBT	---
8	slot bolt	brass	---
9	stem guide	NBR - brass	---
10	regulating spindle	NBR - brass	---

**application information**

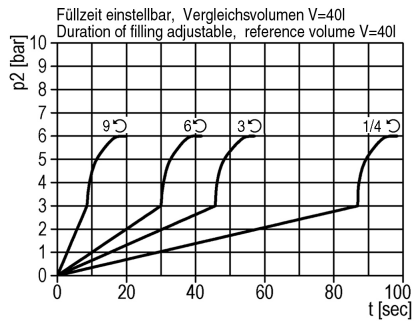
- easy block assembly for components to be connected in series
- interlocking of several individual devices requires coupling kit(s) KP 33
- interlocking of several individual devices with narrow distributor Z 33, requires coupling kit(s) KP 33 Z
- by turning the regulating spindle the duration of filling is adjustable

1	port size	
	33	G 1/2
2	options	

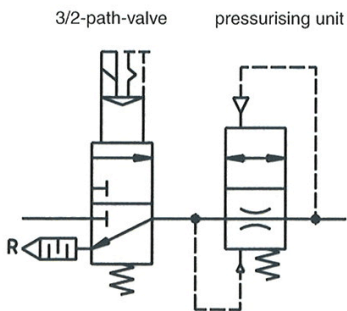
dimensions (mm)



charging characteristics

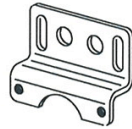


various application



Aeration of the mechanery over throttle setting of the pressurising unit.  
 When P2 ≥ 50% P1 opens full profile.  
 Pressure release at R

accessories



type: ZW 33